



HPI-25-02

Hendrix Tie Top Insulators are molded from a proprietary blend of gray, track and UV resistant, high density polyethylene. They are more durable and reliable than traditional wet-process porcelain insulators. They are also lighter, safer and easier to handle.

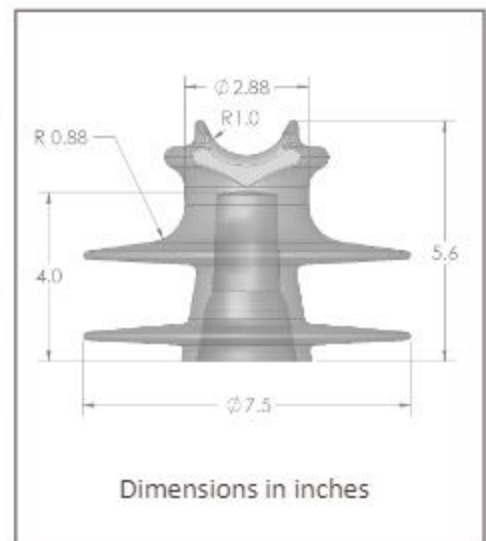
The HPI-25-02 is designed with standard ANSI neck and 1-3/8" thread size. It is a direct replacement for medium-voltage porcelain F-neck insulators and recommended for all conductor types, bare or covered.



- Exceeds ANSI electrical and mechanical requirements
- Resistant to impact damage, breakage and vandalism
- Designed for use with all Tie Products
- Made in USA

PRODUCT DATA

Characteristic	ANSI C29.5 Class 55-5	HPI-25-02
DIMENSIONS		
Neck designation	F	F
Leakage distance (in)	12	14.2
Dry-arc distance (in)	6.25	8.1
^[1] Pin-hole diameter (in)	1	1-3/8
MECHANICAL VALUES		
Cantilever strength (lbs)	3000	>3000
ELECTRICAL VALUES		
Typical application (kV)		25
Flashover voltage, 60 Hz Dry (kV)	80	84
Flashover voltage, 60 Hz Wet (kV)	45	51
Impulse Flashover – Positive (kV)	130	146
Impulse Flashover – Negative (kV)	150	176
Low frequency Puncture (kV)	115	215
OTHER		
Max. Conductor Diameter (in)		1.75
Part Weight (lbs)		1.8
^[2] Max Continuous Conductor Temp (°C)		120



Notes:

[1] Other pin-hole diameters and thread configurations are available

[2] High temperature (200°C) model is available